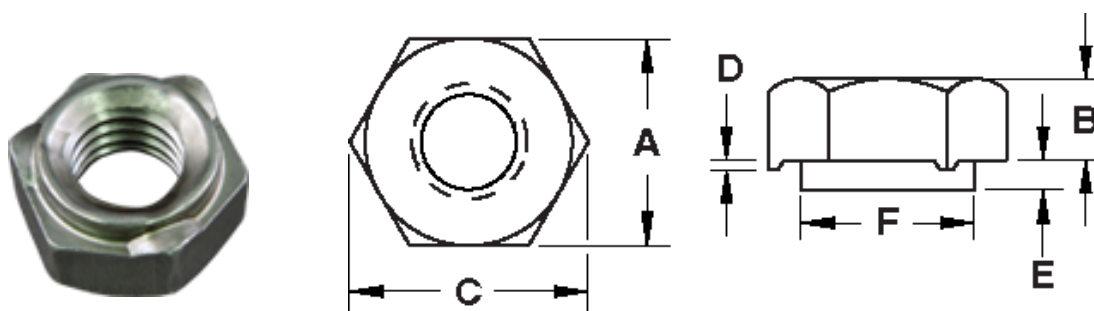


3 Projection Hex Weld Nuts: HS3 5811



Thread Size	5/8-11
Width (in)	0.938
Thickness (in)	0.448
Pilot Height (in)	0.060
Pilot Diameter (in)	0.781
A (in)	0.938
Tol A (in)	+0.000 / -0.029
B (in)	0.448
Tol B (in)	+0.000 / -0.020
C Width Across Ref. Only (in)	1.051
D (in)	0.035
Tol D (in)	+0.003 / -0.003
E (in)	0.060
Tol E (in)	+0.005 / -0.005
F (in)	0.781
Tol F (in)	+0.000 / -0.012
Material	C1010 High-Welding Quality, Low Carbon Steel
Finish	Plain, Unless Specified
Threads	Unified Standard Class 2B ASME B 1.1-2003



BUCKEYE FASTENERS COMPANY

DISTRIBUTED BY

ADVANCE 
COMPONENTS

advancecomponents.com

972-446-5500